



Junior American Cup Car Racing RULEBOOK Edition 24

Purpose and Vision

1. To set an example and lead the way around JACCR Motorsport safety.
2. To use the sport of ACCR racing to teach positive values and attitudes to our competitors and their families.
3. To provide a national rulebook maintaining uniformity among ACCR nationwide.
4. To provide a steppingstone allowing racers to advance to professional racing.
5. To enforce the national rulebook firmly and fairly, providing a level playing field among all competitors.
6. To recognize and promote the achievements of our racers and help them attract more sponsorship for the sport.
7. To lower the expense and complexity of ACCR racing, making it easier for new racers to join the sport.
8. To attract enough race teams across a wide enough geographic area to enlist major national sponsorship.

TABLE OF CONTENTS

Part 1 General Rules of Racing

- Section 1** General Disclaimer
- Section 2** Membership & Licensing
- Section 3** Entry & Sign In
- Section 4** General Rules
- Section 5** Alcohol and Drugs Policy
- Section 6** No Litigation
- Section 7** Accidents and Safety
- Section 8** Clothing and Accessories
- Section 9** Policies/Procedures Pre-Tech
- Section 10** Post Race Tech and Scales
- Section 11** Competition & Race Procedure
- Section 12** Flag Rules
- Section 13** Timing & Scoring
- Section 14** Points System
- Section 15** Blank
- Section 16** Blank
- Section 17** Protest Guidelines
- Section 18** Advertising & Promotion Release-Display of Sponsor Series Logos (see section 43 also)

Part 2 Technical Rules and Regulations

- Section 19** General Body Requirements
- Section 20** Chassis Requirements
- Section 21** Control Arms
- Section 22** Sway Bars
- Section 23** Shocks & Springs
- Section 24** Weight Transfer Devices
- Section 25** Engine Rebuilds
- Section 26** General Engine Requirements
- Section 27** Clutch
- Section 28** Oil Coolers & Ducting
- Section 29** Engine Electronics
- Section 30** Data Collection
- Section 31** Alternator
- Section 32** Starter
- Section 33** Battery
- Section 34** Carburetors
- Section 35** Fuel Cell
- Section 36** Fuel
- Section 37** Drive Train
- Section 38** Rear Axles
- Section 39** Brakes
- Section 40** Wheel Specifications
- Section 41** Tyre Specifications
- Section 42** Wheelbase, Track, **Section 43** Diagrams and Photos

Please ensure you read all sections as per your licence conditions

JACCR European Division General rules of Racing

1: GENERAL DISCLAIMER STATEMENT

The rules and/or regulations set forth herein are designed to provide for the orderly conduct of racing events and to establish minimum acceptable requirements for such events. These rules shall govern the condition of all events, and by participating in these events, all participants are deemed to have complied with these rules. NO EXPRESS OR IMPLIED WARRANTY OF SAFETY SHALL RESULT FROM PUBLICATION OF, OR COMPLIANCE WITH, THESE RULES AND/OR REGULATIONS. They are intended as a guide for the conduct of the sport and are in no way a guarantee against injury or death to a participant, spectator or Official. The Directors shall be empowered to permit reasonable and appropriate deviation from any of the specifications herein or to impose any further restrictions that in his/her opinion does not alter the minimum acceptable requirements. NO EXPRESS OR IMPLIED WARRANTY OF SAFETY SHALL RESULT FROM SUCH ALTERATION OF SPECIFICATIONS. Any interpretation of, or deviation from these rules is left to the discretion of the Directors.

CODE OF CONDUCT

All members will be expected to abide by the following code of conduct at all ACCR sanctioned events.

The driver is responsible for his/her own actions and words. This extends to his/her pit crew, associated friends etc in all aspects.

Throughout this section, the word “driver” shall mean the driver, and anyone associated with that driver, friend or family at all ACCR sanctioned events.

The driver shall be the sole spokesperson for his/her team in all matters and must deal with ACC Racing Directors only regarding their conduct and behaviour. Anyone witnessing a violation of this policy anywhere on the facility, where an event is taking place, should fill out a statement and submit it to the promotion only.

1.1 Publication

Any Publication of any type concerning ACC Racing Ltd or its drivers and associates, Officials, sponsors, tracks and track promoters on the internet or any other media source, is subject to approval by ACC Racing Ltd Directors. Anyone who makes public, internal affairs concerning incidents or accidents, or general decisions on or off the track, including incriminating video footage of such incidents, official track video footage, in car footage, or makes remarks in a negative, insulting, or threatening manor to anyone involved in ACC Racing, will be subject to this rule book. This will be treated as if it had been said face to face at a meeting or a breach of our rules, and will be dealt with accordingly, this also includes close friends and family, mechanics, and your general associates as you are responsible for their conduct. It is the drivers’ responsibility to explain our policies to their accomplices, anyone who brings the sport into disrepute in anyway, will receive an automatic suspension from the ACCR series pending investigation, the case maybe passed over to the ORCi, possibly resulting in further action taken against you.

Note – American Cup Car Racing is a registered Trademark and subject to trademark rules and regulations 2019.

2: MEMBERSHIP AND LICENSING

2.0 A Junior racer must be aged 8 – 16 upon the day before the 16th Birthday they must then finish racing in the Junior series

2.1. Membership runs from the date of acceptance of your application, through to December 31st of the same year.

Driver affiliation fees will be set annually and informed to the drivers at the end of each year.

All Memberships must be renewed on an annual basis. The membership will be through the promoter of ACC Racing Ltd Only. Any driver from the previous seasons who fails to submit their licence forms and payment by the 20th of February of the following race season, will be subject to an extra admin cost of £30.00 payable with your application after this date. This does not include new drivers joining the series for the first time after the cut-off date.

2.2. ACC Racing Ltd may allow any individual interested in ACC Racing to join as a member, if that individual has fully completed and truthfully filled out a membership application form and agreed to abide by the Rules and code of conduct, read and understood the current rule book, and paid the determined fee(s) due for affiliation. ACC Racing Ltd, ORCi and track promoters reserve the right to reject any application that is deemed unacceptable and terminate any membership that has failed to comply with the rules, guidelines, or code of conduct. ACC Racing Ltd reserves the right to refuse any application for a licence. ACC Racing also reserves the right to suspend or revoke a licence at any time, if it has been deemed that the member has violated or attempted to violate the rules or has gone against the code of conduct.

All drivers in all events must be members and have in his or her possession a valid approved competition licence. The member must be at least 8 years of age and under 16 years and meet all racing experience guidelines and submit to a drivers’ test if requested by the promotion.

If a competition licence applicant is under 18 years of age, the applicant must submit a minor release form signed by all parents/guardians, a birth certificate will be required along with the licence application form. A copy birth certificate will be accepted.

2.3. Drivers under 16 years of age are eligible to race in the ACCR series if they are at a level acceptable to the series after completing a competence check, and are cleared to race by the ORCi, and are covered by the insurance.

2.4. ACC Racing Ltd has 3 types of membership: An Honorary member, a Full Licence member, and a Day Licence member.

Day licence Member: The charge will be **£40** for the day this includes the track fee for a day licence, **but not the entrance gate fee.**

Any driver who wants to race in an event for a single day **MUST** fill out the complete membership application form for the day they intend to compete at. The driver will receive points for that day and will be included in any published results. Only **4** Day licences may be purchased per individual during a single season. A full licence may be purchased by a hire driver at any time.

Any day licence holder must either have completed a test day, pre-meeting practice or had previous relevant experience in a race car before entering a full race situation.

2.5. Extra entrance fees may be required by track promoters, drivers will be notified as early as possible if this is the case. We have no current control over entrance fees and will endeavour to negotiate these whenever possible.

2.6. Refund Policy – Membership and entrance fees are non-refundable.

3: ENTRY AND SIGN IN

3.1. Booking in for meetings

3.2. All drivers are required to book into meetings via the ACCR Admin / Secretary, giving a minimum of 4 days' notice. Drivers may book in through the Internet, E-mail, Phone or Text, you may book into as many meetings as you want at the start of each season or during the season, **but you must inform the promotion if you are unable to attend within 2 Days of the meeting.**

For continental meetings or specialist meetings, earlier notice of attendance will be required.

3.3. Any driver that fails to turn up for any meeting that is subsidised by the Promoter will be liable for the cost of his/her entry.

3.4. Upon signing in for any event, a competitor must present their valid licence.

3.5. Entry fee and pit passes differ from track to track. Members must adhere to track policy and pay the relevant fees.

3.6. Only the driver must sign an entry form.

3.7. All entrants must have signed in at least 30 minutes before the scheduled starting time of the first official practice session. If late, they must report to the Tech officer who will scrutineer the car.

3.8. All Drivers must attend the Drivers' meeting. All minor Drivers must also have their parent or guardian present at the drivers' meeting. Any driver who misses the drivers meeting for any reason will be subject to start at the rear of the grid for first heat.

4: GENERAL ACCR RULES

4.1. The rules shall apply to each driver, owner, sponsor, mechanic, crew member and / or any other pit personnel (collectively known as participants) participating in any ACCR sanctioned or recognised events including demo events.

ALL PARTICIPANTS ARE SUBJECT TO THE RULES AND ARE EXPECTED TO KNOW THE RULES, ANY CLAIMED OF IGNORANCE OF THE RULES WILL NOT BE ACCEPTED AS AN EXCUSE.

4.2. Anyone attempting to circumvent the rules or judged to be going against the spirit and intent of these rules or the organisation is subject to disqualification or suspension. Only ACC Racing Directors/Officials may decide if a change, alteration, or action is an attempt to circumvent the rules.

4.3. All rules are subject to change at any time with reasonable notification...

4.4. No modifications other than those specified in this rulebook are acceptable; if it is not listed then you cannot do it!

If this rulebook or the ACCR parts list does not specify that something can be done or used on the car, then you must consider that the change or part or action is illegal. All parts fitted to the cars must have an ACCR part number or have a security label fitted and is listed within this rule book / parts book. All parts except engine and engine components must be purchased through ACC Racing Ltd or authorised in writing by ACC Racing Ltd as an alternative. Any part or copy part not complying with the above ruling will be deemed illegal and confiscated for disposal and driver penalties will be applied. Any repairs to the chassis or bodys must use authorised genuine parts. Any copy parts found on cars will result in refusal to race and licence suspended and a fine applied. If IN DOUBT, ASK!

4.5. Cars are designed for closed road course or raceway use **only!**

4.6. The decisions of any Officials and the ACCR Directors at sanctioned or recognised events, including the interpretation and application of the rules and any scoring of positions shall be final and binding.

4.7. Only cars and parts authorised by ACC Racing Ltd and **purchased through ACC Racing Ltd with appropriate seal to the chassis and engine** are legal for use. Cars and parts originating from any other source are not legal for use in any ACCR sanctioned events and will not be allowed to enter any events associated with ACC RACING LTD unless authorised and written permission has been granted. Used cars sold by previous or current drivers are purchased at your own risk if in doubt contact us!

4.8. Crew members will only be permitted onto the track if the track Officials allow this.

4.9. All personal property brought to the Raceway by a team must be removed with them when they leave. Examples: tyres, race car parts, used oil, etc.

5: ALCOHOL AND DRUG POLICY

5.1. AS PER ORCI Rules and Regulations.

6: NO LITIGATION

6.1. By entering a Sanctioned Event, Members agree to accept the following terms: A decision of an Official is final and cannot be litigated. If a member violates this agreement, and proceeds with litigation against ACCR Drivers or its' Official(s), that Member agrees to pay all costs, including reasonable solicitors' fees, associated with the litigation incurred by the promotion or the Official(s). The rules and regulations set forth herein shall be construed pursuant to UK law.

7: SAFETY

7.1. All sanctioned or recognised events are competitive racing events. The rules of ACC Racing Ltd have been established to provide for orderly conduct of the racing events and to establish minimum acceptable standards. Entrants are required to comply with these rules.

7.2. No express or implied warranty of safety shall result from publication of, or compliance with these rules and regulations. These rules are a strict minimum standard and in no way guarantee against property damage, injury or death to any participant, spectator or Official. All competitors assume full responsibility for all injuries sustained, including death and property damage, at any time they are in the racing areas or on route to and from the said areas.

7.3. All competitors agree to inspect the racing facilities, safety personnel and equipment, and conditions at the racetrack on a continuing basis before, during and after the event. All competitors are solely and directly responsible for the safety of themselves and their race cars and equipment, their crew members, guests, and any other persons in their pit area.

7.4. Any party who wilfully or maliciously uses a race car, or any object, on the track or in the pits to injure, destroy or damage another person or personal property will be suspended automatically, and subject to Local Authority involvement.

7.5. Drivers must not get out of their race car whilst on the racetrack or infield area except in an emergency i.e. if your car is on fire or you have a fuel leak. You may get out only if requested to do so by an Official.

7.6. No one (except the driver) is allowed to ride in or on the race car at any time.

7.7 All drivers must use approved seat belts, a fire-resistant safety suit, and all safety accessories, such as helmet must always be worn whenever the car is in motion. This includes pit and staging areas.

7.8. All tow transport vehicles must carry a minimum of a 2kg fire extinguisher, dry power, which must be always within easy reach of the driver and mechanics, especially when refuelling.

8: CLOTHING AND RACE ACCESSORIES

8.1. All drivers must wear an approved fire-resistant driving suit any time the car is in operation at a short oval race meeting. See ORCI rules and regulations for full specifications. <http://orci.co.uk/Content/Technical>

8.2. A racing helmet is required at any time the car is in operation, your helmet must be always secured correctly.

See Junior section of ORCI rules and regulations. <http://orci.co.uk/Content/Technical>

8.3. Seatbelts must be securely fastened around the driver at any time the car is in operation. All belts and harnesses must be of the 5-point type see - <http://orci.co.uk/Content/Technical> for full details.

8.4. All drivers must use arm restraints or window nets if they can place their hands outside of the windows and **neck collars are compulsory for all drivers**. See <http://orci.co.uk/Content/Technical>

8.5. Competitors are solely responsible for the safety of their racing cars and equipment. They are obligated to operate their equipment in a manner which will minimize the chance for injury to themselves or others. ACC Racing Ltd and its' Officials will not be responsible for the safety of a competitor's race car or equipment.

8.6. Competitors are obligated to inspect the race facility, its condition, the track safety equipment, and personnel. Any safety violations or inadequacies should be reported immediately to the Officials. Competitors should not proceed with race related activities if you believe some part of the safety is sub-standard.

9: GENERAL POLICIES/PROCEDURES

9.1. Tech Decisions – At all events, Tech Inspectors will inspect the cars. All decisions regarding the legality of the cars and parts will be made by the Tech Inspector for the day and a report given to the promotion of any non-compliance and is non protest able.

9.2. Any car that has a defect notifies them at a meeting and logged in their logbook then has a grace period i.e. 1 meeting to sort. If the car then turns up with the same defect at the next meeting, the driver may either be put to the rear of the grid for the whole meeting or excluded from the meeting **if the defect is a safety issue it must be put right immediately,**

9.3. Communication Policy – Race receivers will be compulsory for all meetings and must be in a working condition. You as the driver are responsible for ensuring that you can hear any directions given through this, and ‘**I CANNOT HEAR YOU**’ is no defense to any incident. **NO RACECEIVER – NO RACE!**

9.4. Only Official ACCR two-way radios may be used at any official meeting. If anyone is found to be using an unofficial two-way radio, the driver will be excluded from the event.

9.5. Rule Policy – All rules are managed by ACC Racing Ltd (ORCI), which reviews all rules changes. All members are welcome to submit suggestions for rules changes at any time in writing. In general, rule change proposals will be considered after the end of each racing season by the promotion or during the season if required by the promoter / ORCi.

9.6. ACCR general Pre-Tech Checklist example

9.7. Pre-Tech - Every car that intends to compete in official practice or a race must go through pre-tech safety inspection before being allowed onto the track. Drivers must present their car to the Tech Officer for inspection and remain with their vehicle until the Tech Officer has signed the vehicle off. Tech Inspection will end 30 minutes before the official meeting begins. If the driver misses this deadline, he/she will be subject to sections 15&16 of the rule book. Passing pre-tech does not mean your car is 100% safe and legal. Pre-Tech is a basic observation check with recommendations and legalities, or defects pointed out, and logged in your logbook. You may be given a meetings grace if the defect is not a safety issue. No liability will be taken for any injury sustained due to unforeseen failures.

9.8. Pre-Tech Checks – but not limited to

1. Serial numbers verify that the car is ACCR approved.
2. Engine compartment exam.
3. Body security / integrity / legality of panels including security tags.
4. Safety belts - check other safety equipment.
5. Oil / fuel leaks.
6. Seats.
7. Driver’s safety equipment i.e., helmet, overalls, gloves, neck brace etc.
8. General car appearance.
9. Battery isolation / safety switches.
10. Engine / restrictor plate as issued by ACC Racing Ltd, chassis number (Seals). (2023 will see engines removed for inspection if required)
11. General safety items.
12. Tires - Wheels legality.
13. Seating position legality, security.
14. Brake light.
15. Decals and livery.
16. Shocks and suspension components and legality of any fitted components to the car, including the origin of such parts.
17. Check all seals and security seals for legality, originality, and conformity.
18. Any item the Tech Officer wishes to check.
19. Scaling and security of added weights scales are at the meeting for you to pre check your weights if required.
20. New security tags fitted on specific parts.

10: POST RACE TECH AND SCALES

10.1. Any driver may be requested to go directly to the scales or to the tech area which will be The ACC Racing Truck **immediately** after coming off the track, if requested to do so by any of the Officials. The Officials may also carry out a walk around Tech Check at any time during a meeting.

10.2. The driver may be requested to get back in the car at any time during the Tech Check walk around.

10.3. ONLY the driver and 1 mechanic plus driver will be allowed in the post- race Tech Area. Racers who ignore this rule will be thrown out of the race in question.

10.4. At ALL times, only Tech or Official members will be allowed in the tech area. Anyone who plans to be in tech at any time must be a driver member or associate member and hold a valid licence.

10.5. Bonnet and boot lids must remain closed until such time as a tech official open one or the other. The driver and car must remain in tech until given permission to leave by the official in charge. Drivers failing to follow this procedure are subject to disqualification.

- Checks may be carried out during a meeting in the pits and the driver may be requested to sit in the car at any time during these checks.
- If you leave the venue before tech has taken place any person who fails tech the next finisher after them that is still present will be requested to come to tech and upon passing will be awarded the place this is in championship meetings only.

10.6. Post-race JACCR Tech inspections will be performed using any of the procedures listed below. The promotion will supply electrical power, and an air compressor for general lighting and cleaning needs. Blowers and/or cooling devices must be supplied by the race team when requested. Officials may choose to carry out any or all the below checks but are not limited to the below list. All cars are expected to always meet all the rules in the rulebook.

Checks – may consist of the following but are not limited to -

1. The rear spoiler angle may be checked.
2. Legality of parts, panels, body, chassis, and all parts relating to the car.
3. The body may be removed at this time.
4. The engine may be started to make sure it is working properly, and no modifications are made,
5. A compression test or internal inspection may be performed on all cylinders. The top of the engine may be cleaned at this time, so as to remove the spark plugs. No air may be blown into the engine to cool the cylinders. Compression must be within the limits
7. The Carb may be removed and inspected and must meet the requirements
8. The Valve cover may be removed, and a cam check performed. Cam profile checked.
9. A Scope may be inserted through the oil fill hole. Inspection of visible parts in the lower half of the engine.
10. Fuel may be checked.
11. Drive train and gearing may be checked
12. Rear ends cradles may be checked
13. Wheels, Tires, serial numbers, air, and the illegal use of softener will be checked
14. Wheelbase and Track & other crucial measurements including mounting points and chassis alterations will be checked as per section
15. Shocks and springs and all suspension components will be checked for legality and originality and conformity,
17. Check all seals and security seals for legality, originality, and conformity.
18. Body will be checked for originality of panels, shape, dimensions, weight & silhouette as per section 19.
19. All fitted components will be checked for originality and legality
20. Restrictor plate checked for size and originality (if fitted for restrictor plate racing when notified only, by promotion).

10.7. POST RACE TECH AND ENGINES

10.8. General Engine Checks

1. Check for approved air filter
2. Check for air filter adapter
3. Air Leak check (WD-40 or starting fluid around carb and insulator with engine running and listen for increase or decrease in idle)
4. Check carb bore with no-go gauge or Vernier bore gauge
5. Check fuel (take sample from line at carb)
6. Flame test oil
7. Check engine seal and restrictor plate as issued by ACC Racing ltd only.

10.9. Carburetor and Intake system:

1. Air leak check as above #3.
2. Fuel tests as above #6.
3. Check carb bore for polishing or material removal.
4. Blank
5. Check for stock gaskets.
6. Check carb insulator block for material removal (no polishing, grinding, or sizing, check for cracks).
7. If choke removed hole must be plugged.
8. Check engine & carb seal.
9. Test air filter by rolling in pan of water to see if water infiltrates uniformly around entire surface. Look for blockage.

10.10. Ignition system:

1. Flywheel key must be in place cannot be offset.

2. Coil mounting holes cannot be slotted to enable adjustment of timing.
3. Check coil mounts for bending or plugged and rethreading.

10.11. Flywheel

1. Measure flywheel inner steel ring with hook gauge .335 +/- .005.
2. Check the flywheel for lightening.
3. O.K. to balance flywheel with no intent to lighten.
4. Min. flywheel weight is 11 pounds 10 ounces.

10.12. Internal Engine checks –

1. Top of piston should appear to be a stock GX390 piston. Dish on top of piston .085 +/- .005. Stroke: 2.52-2.54 Bore: 3.465-3.490 (may bore up to .30 over with clearance).
2. Profile cam must meet 2002 specifications.
3. Remove side cover and check to see if timing dots align.
4. Check wrist pin for stock Honda GX390 measurements: Inside - .552 Length – 2.438 Check rod for stock Honda GX390: No grinding, polishing, or sizing. Enlarging of oil hole and slotting allowed.
5. Rod inserts Approximate length 3.300
6. Check piston for stock Honda GX390:
7. Piston crown to bottom of skirt: 2.620
8. Dish in top of piston: .085 +/- .005
9. Compression height (top of wrist pin to top of piston): .710
10. Check for lightening, No coatings
11. No tech on piston rings except for thickness and width
12. Check crankshaft for stock Honda GX390: No grinding, No balancing
13. Crank journal may be reground to -.010 Journal sizes: 1.416 standard Journal size for -.010: 1.406
14. Weld and regrind for rod inserts are legal
15. Check camshaft for stock Honda GX390: Easy spin in working order No Lightening May be welded and reground

16. Check for stock Honda GX390: NO lightening or balancing,

10.13. Officials are not required to reach a conclusion regarding the legality of cars or parts at the racetrack and may gather additional information in the days following an event before issuing a final decision.

10.15 Engines will be removed at various meetings and taken for strip check during the Season. It will be the driver's responsibility to collect and rebuild the engine or cover the cost of rebuild by our independent engine inspector. **The complete car is also subject to sealing and may be requested to attend a complete tech check at the HQ during any part of the racing year under arrangement.**

11: COMPETITION AND RACE PROCEDURE

11.1. All starts and restarts are to be determined by the Track Official.

11.2. All cars will line up in the designated staging area prior to their respective heats in grid order. Failing to get into your grid position after 3 calls will result in you being placed at the rear of the main field. If a car is not able to start the race once gridded on track for whatever reason and is removed to the infield, all cars in the same row will move forward. If a driver withdraws from the race in the staging area, grids will be reformed if time permits.

Once the first car is called this is classed as Parc Ferme Rules i.e. no working on any race car even within your pit area this is at the discretion of the officials.

11.3. Driver changes may not be made during any race meeting.

11.4. On the initial start, all cars must remain in double file, nose to tail formation. No passing is allowed until the command of 'GO' is given, or in the case of radio failure the green flag is shown.

11.5. Any driver passing/overtaking another car whilst under the waved yellow flag and not immediately letting the passed/overtaken car back in front, may be penalized by the Chief Steward of the meeting.

11.6. Any driver passing three waved yellow flags at more than a walking pace speed will be black flagged with a DSQ given.

11.7. You may pass under a stationary yellow flag but with caution.

11.8. All starts and restarts will be at a consistent medium speed. The Pole car must maintain a consistent speed and a minimum of 8 car lengths from any pace car, until the command of 'GO' is given or the display of the green flag. The Pole car is completely responsible for the pace setting and if the Officials determine that the Pole car is not maintaining a consistent speed or accelerates before the command for 'GO' or the display of the green flag, or is seen to be 'brake checking', that driver will be sent to the rear of the main field with a complete restart.

11.9. Double file grids will be used for all starts and restarts and for championship finals only - the leading car on a re-start **or as listed** may choose to start on the inside lane by going to the inside track edge or outside lane by going to the wall. All subsequent drivers line up as forming up for a start grid i.e., 3rd place car upon stoppage would line up behind the Pole car and so on and so on.

11.10. If the caution or red flags are displayed before the completion of lap 1 or at the Chief Steward discretion, there will be a complete restart in the original starting order. If a car is unable to restart for any reason, all the cars behind that line, will move forward. There will not be any 'switching sides' for the restart. If a car is deemed the cause of a stoppage or accident, they will be sent to the rear of the grid for the restart.

11.11. If a waved yellow flag is displayed after the completion of 1 lap, all cars will line up in the physical order they were running on the track at the end of the last completed scored green flag lap. All cars must hold their position, even if trailing a lapped car and fall into a single file nose-to-tail formation. Race Officials will then use the Raceceiver system to move the lapped cars to the rear of the field if time permits and also give the instruction to form the double file restart.

11.12. If a caution is displayed after the leader takes the white flag or last lap indication, the final finishing order will be as the cars come across the finish line on the previous lap.

11.13. Blank

11.14. All cars involved in an accident where blame cannot be apportioned, will restart behind all cars not involved, regardless of the number of laps completed, providing the track allows. Track Officials have the right to deviate from this policy. They may put cars back in their rightful position and back on the lead lap.

11.15. Cars that spin out on the track must attempt to re-join the race when safe to do so and resume race speed as soon as possible. The driver must refrain from slowing or impeding the current competition. If anyone is deemed to be deliberately stopping the race or pulling out on cars at race speed, hindering them or slowing the race, they will be disqualified from the race.

11.16. The race will be officially completed when the field of cars has completed the specified race distance/time or with the starter's display of the chequered flag. You must keep at race speed until red flags are brought out.

11.17. The standard race distance on short track ovals, subject to track approval, will be set at a minimum of 10 lap heats and a minimum of a 12 Lap final or as informed at the drivers meeting. again, subject to track approval. On a standard oval you will have two warm up laps followed by a rolling start lap for the first race of every meeting. This may be extended to two warm up laps for every heat if time allows.

11.18. Upon consultation with the Officials, Track Officials have the right to change, omit, or add rules and regulations that are particular to their track regarding how the event is run. This policy does not in any way pertain to minimize the standards for safety.

11.19. At all events, the race will be managed by the Chief Steward or Clark of the course with advice from ACCR official and Clark of the meeting with no appeals other than a Black flag disqualification or ban.

12: FLAG RULES

12.1. Competitors will be given information from the Officials during events via Radio/flags or lights:
Flag rules are as per ORCi rules and regulations.

13: TIMING AND SCORING

13.1. The timing and scoring of all cars will be handled by Track Officials.

13.2. The finishing order as determined by the Track Officials will be the official result, normally through the AMB style transponder system. If the system fails, manual scoring will be introduced. If your personal transponder fails, this is your fault and you will be classified as the last car to finish, if no manual results are available.

13.3. All cars must be fitted with an AMB transponder which shall be fitted on the left-hand side of the rear left down tube when viewed from the rear of the car. Only one transponder may be mounted per car, and all transponders must be operational.

14: POINTS

14.1. All events will use the point system as per chart.

1st	100	11th	58	21st	43
2nd	93	12th	56	22nd	42
3rd	87	13th	54	23rd	41
4th	82	14th	52	24th	40
5th	78	15th	50	25th	39
6th	74	16th	48	26th	38
7th	70	17th	47	27th	37
8th	67	18th	46	28th	36
9th	64	19th	45	29th	36
10th	61	20th	44	30th	36

14.2. Basic Point Allocation – The basic points system awards points based on finishing positions in the heats.

These will be reviewed when we reach a 30 Car grid.

DNF & DNS score on pro Rata basis

DSQ = ZERO points Scored.

Championship Ties will count back on top finishing positions i.e., 1st 2nd and 3rds.

The driver with the most wins or top finishing positions i.e., 2nd and 3rds and 4ths will lead the Championship.

14.3. Grids will start as follows: First Heat will be a reverse of the last three meeting average points 'highest average to the rear'. Second Heat will be a reverse of the first heat finishing order.

The Third Heat grid will be total points for that meeting added up and reversed, highest to the rear, apart from penalties given at that meeting or previous meetings.

Point System Adjustments – IF the meeting is a Championship final where qualifying has taken place, the top points driver will start in the front row. Any penalties will be taken at the next normal reverse grid meeting.

14.4. Championship races and the type of race will be informed to drivers at the drivers briefing on the day, or via a website with the number of laps determined on number of cars present for that meeting.

14.5. Any ‘top points to pole races. All competitors in attendance will score 100 points for that race only, and in the case of the British Championship and UK Open Race, Scottish Championship drivers will score 100 points for the meeting final only. You must take the green flag to score these points and not receive a DSQ - averages will be scored for these races at standard points.

14.6. First year rookies will be gridded up at the rear of the grid for their first 9 HEATS of the season. Returning drivers without a previous years’ average will be gridded up at the rear of the grid for the first heat only for their first 3 meetings, until they have achieved a 3 Meeting average.

14.7. Points are non-transferable from one driver to another.

14.8. Three meetings of each season will be scored as double points meetings. These will be notified on the website by the letter’s D/P (Double Points). Double points round will only score on the averages as a single point meeting to stop false average readings and double points meetings bring in to play double penalties also.

Cancelled Heats: Cancelled heats during a meeting only: All drivers in attendance will score 100 points for each heat cancelled.

14.9. When points are given for attendance, any driver who receives a DSQ will lose these points for that meeting.

14.10. All drivers will score points on a pro ratio basis if they take the green flag minus any penalties.

14.11. You must be in good standing with ACC Racing Ltd to receive any points or fund money or awards. All suspensions must be fully served to be considered in good standing with ACC Racing Ltd. The promotion reserves the right to withhold or revoke any prize fund money, and/or awards to any participant with outstanding debt to ACC Racing Ltd.

14.12. If a driver is disqualified from the race, the remaining field (position & points) shall move up accordingly.

14.13. If a driver picks up a trophy at a meeting, including our main championship titles, he/she must retain the trophy until after post-race tech. If found illegal after the event, and docked or excluded, his/her points will be removed from the race and the trophy must be handed down accordingly to the next qualifying driver/s.

14.14. Results will be posted on the website within 7 days of the event, subject to internet connection and protests.

14.15. Only races posted on the website can count for points.

14.16. Any demo meetings will be offered to drivers by ACC Racing Ltd by invitation ONLY. Grids and other rules may be implemented i.e., pre-determined race results, odd grids and other restrictions may apply. No Championship points will be given for these meetings.

14.17. Champions – All Championship titles and trophies will stay with the current holder until the end of year presentation. The current holder is requested to bring the Championship trophy to the relevant meeting for photographic purposes only. The trophy will officially change hands at the Annual presentation.

14.18. JACCR Junior All Stars, The Super Cup Series, (The main Title top points scorer over a season)

14.19. Individual Championships will all score as per the main Championship.

14.20 It is the team’s responsibility to check finishing positions from each race at the meeting on the notice board on the ACC Truck once points are posted they will stand from these results.

15: PENALTIES/FINES/DRIVER ENDORSEMENT POINTS

15.1. Anyone associated with ACC Racing Ltd is expected to abide by all local track policies and procedures. Violation of local track policies and procedures can result in fines or suspension from events.

15.2. Harassment of any persons including Track Officials, safety crews, ambulance crews, or spectators & other Teams will never be tolerated. Harassment is any screaming, yelling, or threatening words verbal abuse and/or actions. When conflicts or concerns arise, drivers are expected to share their concerns in a controlled manner. Violation of this policy will result in a fine and penalties or ban.

15.3. Harassment of other racers and/or their crews, families etc. will never be tolerated. If harassment occurs anywhere in the track area, the offending driver will automatically be loaded up and suspended pending an investigation.

NOTE: DRIVERS OR PIT CREW MUST NEVER APPROACH ANOTHER DRIVERS PIT AREA TO HAVE A CONFRONTATION.

15.4. Physical violence will never be tolerated. You will be reported to the track and ORCI for discipline action.

15.5. Any incident off the track: JACC Racing Ltd & its Officials reserve the right to refer any driver to the ORCi disciplinary Board for further investigation.

TECHNICAL OFFENCES GUIDE:

15.9. Miss-Adjustment Infraction = 1-5mm or 1-5lb outside stated measurement. The examples of this type of violation include but are not limited to; minor wheelbase, slightly underweight, opening bonnet or boot lid while in post-race tech or before post-race tech is carried out, etc. The penalty for this type of infraction will be no less than placement as the last placed car.

15.10. Minor Technical Infraction = 5-8 mm or 5-8lb outside stated measurement. Fine or reprimand of up to **£15.00** and a disqualification from the race in question. Any illegal parts in question will be confiscated by Officials.

15.11. Serious Technical Infraction = Over 8mm or 8lb outside stated measurements. Fine of up to **£30.00**, disqualification from the race meeting and suspension from minimum of one additional race meeting. Any illegal parts in question will be confiscated by Officials.

15.12. Anyone found with either a Miss or Minor infraction have the choice to either alter the car to within the rules and continue to compete, just losing places or points as stated and starting the next heat from the rear of the grid, or to leave as is and compete from the rear of the grid for the whole meeting, scoring no points. This is down to the driver to declare his/her intentions. The Officials may recheck any infractions after any heat or final.

15.13. Refusal to Turn Over Illegal Parts – Minimum Fine of **£50.00**, disqualification from the meeting, suspension from a minimum of one additional meeting to the entire remaining racing season, and/or loss of points from all previous meetings.

15.14. Refusal to Submit to Tech Inspection – Minimum Fine of **£75.00-£100.00**, disqualification from the event, suspension from a minimum of one additional event, to the entire remaining racing season and/or loss of points from all previous events.

15.15. Failing to attend Post-Tech Inspection – Loss of all points for that race.

15.16. Missing Pre-Tech will result in the driver having to start at the rear of the grid after tech has taken place only.

DRIVING OFFENCES GUIDE

15.17. ROUGH DRIVING. The Chief Steward of the meeting will make all calls with regards to all driving standards.

17: PROTEST GUIDELINES

17.1. No protests of any type for any technical issue, you may only protest a black flag via firstly the Chief steward of the meeting with our driver track liaison in attendance then via the ORCi only at your cost, you must inform the promotion within 24hrs of the fact that you are wishing to approach the ORCi for a secondary hearing.

17.2. There will be a £600.00 protest fee for engine teardown only. If a protested engine is found to be legal, the competitor that was protested will keep his/her winnings and points for that event and receive £400.00 of the protest money for the cost of rebuild and for removing the engine. The promoter will retain £200.00 for inspecting the engine.

17.3. Engine tear down will be limited to the following people only: One authorized mechanic, one member from car in question, Tech Inspector, Promoter, and an engine builder as chosen by the promotion.

17.4. The Promoter reserves the right to tear down any engine, at any time by an engine builder, without a protest fee being filed. If found illegal the engine parts will be disposed of by the promotion. The promotion reserves the right to impound any car or engine for a reasonable amount of time for further inspection. The promotion also reserves the right to confiscate any part that is believed to be illegal at a Post-Race Tech Inspection. This part or parts may be sent to an independent specialist for final inspection and determination of legality. If the part or parts are determined to be illegal by Officials after this final inspection, the illegal parts will be destroyed by the promoter. No compensation will be given to the Car Owner or driver for the destroyed parts.

17.5. Officials are not required to reach a conclusion regarding the legality of cars or parts at the racetrack and may gather additional information in the days following an event before issuing a final decision.

18: ADVERTISING AND PROMOTION RELEASE / DISPLAY OF ANY SPONSOR LOGOS AND RACE NUMBERS

18.1. By entering any event, drivers, car owners, crew and agents assign all commercial communication, broadcast rights, including photos, videos, sounds and written publications of the event, to ACC Racing Ltd as their agent and representative regarding such rights.

18.2. The Directors and their assigned may use any of the likenesses for an indefinite period.

18.3. The Directors reserve the right to assign, to approve or disapprove any advertising, sponsorship, or similar agreement in connection with any event. All members agree to accept the ACC Racing Ltd decision in this regard.

18.4. All advertising on cars must be approved pre-season by ACC Racing Ltd, and a copy of your sponsors submitted with your licence fee.

18.5. NO in car cameras are to be fitted unless authorized by ACC Racing Ltd. Any footage from these is for promotional and official use only.

18.6. ACC Racing cameras are not to be operated by anyone other than the race Officials.

18.7. Car numbers are issued through ACC Racing Ltd and are allocated to each driver for 1 year only. You must renew your licence **By End of February of the following year to retain your number or it may be released to others**, unless otherwise agreed with the promotion. Driver numbers cannot be changed during the season. Car numbers cannot be changed, traded, or reassigned without the permission of the Promoter. The promotion may, at its discretion, re-assign car numbers if required. The promotion reserves the right to dis-allow any sponsorship, advertisement, graphics, wording, or images (with or without cause) that do not represent the public image of the sport or may be a conflict of interest with series sponsors.

18.8. Numbers must be at least **Ten (10) inches high** and a minimum of **two (2) inches wide** and neatly attached to both sides of the car, located in the center of the door. Numbers must be located on the doors only and in the NASCAR style. No Interactive numbers. They must be clear and readable see section 43.0.

Fourteen (14) inches high numbers must be attached to the roof, reading from the **OUTSIDE** of the racetrack. Numbers can be in any design if they are readable and not enhanced with flames, shapes, etc. Numbers must be made of a colour with a high contrast to the car body colour. All number designs are subject to the promoter's approval. All cars are required to display their car number using a **four (4) inch** high number on the right rear tail-light and front left-hand bumper area of the car see section 43.0.

No alphanumeric or three-digit numbers are allowed. The number **one '1'** is reserved for the Main Championship Winner for that year **ONLY** and may be placed upon the car for the following year.

18.9. ACC Racing Ltd reserves the right to assign or restrict the display and location on the car, of any decals, logos, identification, markings, and advertising on race cars.

18.10. ALL first-year drivers (Rookie of the Year Candidates) and ALL new Junior drivers are required to display a yellow "Rookie Stripe" across the rear of the car's bumper area for their first year of racing. The dimensions of the stripe must be a minimum of **2" x 14"**.

18.11. Drivers in all sanctioned races agree to display the JACC Racing and sponsors contingency decals and a series of race sponsors' name or logos across the rear spoiler and in front of each driver's door number on both sides of the car where applicable and will purchase these through ACC Racing Ltd as required see section 43.0.

18.12. All official decals and sponsor decals must also be displayed to participate in any event and score points for that Championship. Refusal to display any series sponsors' decals will result in full price parts and tires charged to the said car driver for the remainder of the season and no Points, prize funds or awards to the car concerned, and may be refused entry into designated events.

18.13. Your name must be placed on both sides of the roof panel over side main window apertures all other decals **see picture in section 43.0.**

18.14. The championship winner is allocated either the #1 or gold roof for the following season in which the championship winner must run at least one of the chooses on the car for the following year his/her original number will be retained for the time the #1 is run you may run both a gold roof and the #1 if desired. The Gold roof must cover the whole roof area to the top of the A B C pillars, and your roof number must remain visible.

19: GENERAL CAR / BODY REQUIREMENTS

19.1. Only fiberglass bodies and replacement panels manufactured and supplied by JACC Racing Ltd are permitted. Any copying of the bodies or body panels is a violation of our policies, and the car will be deemed illegal for use until the legitimate body parts are purchased through ACC Racing Ltd or a fine is applied. It will be down to the car owner to prove its originality. No modifications to body shape are allowed other than those listed in these rules. All new panels have been chipped / tagged from manufacture including older units and can be checked for authenticity. Old units will now be security sealed also.

19.2. Stock roof hatch the hatch must be hinged on the end towards the front of the car. A mechanical latch must be installed to hold the lid in the closed position at any time the car is being operated.

19.3. The fiberglass body must be firmly attached to the car during any Event, Bodies damaged during an Event may be duct taped to finish that weekend of racing. If a body is damaged, it can continue to race with pieces missing, however, it may be Black Flagged by an Official if it poses a safety hazard. If a body is severely damaged, it must be repaired and repainted before next weekend's race. All bodies must be secured down to the chassis. Cable ties may be used in emergencies only and must be replaced by the following meeting.

19.4. A Lexan / Macron window is required in the rear, and port windows on both sides of the car at the beginning of an Event, with a minimum thickness of 1/8 inch. For road racing purposes at long track events, the front windshield must be a minimum thickness of 1/4 inch. If rear or port windows are damaged or missing after an Event has begun, the car may finish that Event if the Official declares it poses no safety hazard.

19.5. Visibility. Front screens must be removed for any meeting of 1/4 mile (single lap track distance). When the screen is removed, a replacement aluminum framework of the same shape and form of the black covered area of the standard screen with two center supports of a maximum width of 2 inches must be fitted either side of drivers view. The replacement support screen must be made up of a minimum thickness of 3mm aluminum of a one-piece structure and be riveted or bolted to the body with a minimum of 8 fixtures. a maximum of 12 x 2 inches or equivalent holes may be drilled in the rear screen; 5x bottom, 5x top, 1x left center of screen and 1x right center of screen to accommodate air flow of the removed screen at the official's discretion.

The Standard front Perspex screen must be fitted and in place for any track over 1/2-mile. All screens must be attached to the car at a minimum of 6" gaps.

19.6. Additional air dams, Vent holes, spoilers, or other aerodynamic devices not sold by ACC Racing Ltd are not permitted.

19.7. Belly Pans other than the original floor pan, are not allowed.

19.8. Aluminum plates riveted to the body may be used as temporary repair only for a meeting.

19.9. The Manufacturer's rear spoiler must be used as supplied by ACC racing without any alterations. Spoiler angle must be between 30 and 55 degrees from vertical. No spacers or devices are allowed that change the factory angle. If a spoiler is damaged or broken during an Event, the car will be allowed to finish that Event, but must be repaired or replaced before the next Event.

19.10. Hinges and pin kits required. Roof opening must be hinged in front only. Positive latches that can be opened from inside and outside of the body are required. Hood and trunk must be held shut with positive pin fasteners, one (1) on each side or fastened in a manner acceptable to Official(s). **All roof hatches must be secured during racing, but the driver must be able to open from inside for emergency exit.**

19.11. Cars must be neat in appearance. The chassis must be painted, or powder coated. The body interior may be left unpainted. Anybody damaged must be neatly repaired and painted by the next event. You will be given 1 meeting's grace to sort out damage.

19.12. All components shall be in top quality condition. Bodies cannot be altered from original manufacturer with exception of repairs. The repair must be as close to the original measurements, shape, and silhouette as possible. Any reinforcement of the body must be acceptable to Official(s).

19.13. Fenders may not be cut or altered except for tire clearance, subject to approval by Official(s). No fender flairs.

19.14. The minimum weight of the car shall not be less than 683.5lbs or 310kgs including driver, equipment, and remaining fuel. This weight rule is in effect for oval track events.

19.15. If the weight of the car is less than the minimum requirement at post-race Tech Inspection, it will be sent to the back of the field for the remainder of the meeting, with penalties applied. This includes but is not limited to fuel. There will be no set tolerance for ground conditions. All cars will be weighed at the same spot on the same scales with only the driver, mechanic, and Tech Officials in attendance.

19.16. Weight clamps or lead weights are permitted. Lead blocks must be made clearly visible with neon paint. Car numbers must be painted on lead blocks. Weights must be firmly bolted to the car with 2x 3/8-inch bolts. And placed inside rails, if possible, no other materials may be used, including, but not limited to, pellets or beads. Mounting of all weight must be acceptable to the Officials. If a car loses any weight on the track, that car will be black flagged.

19.17. The aluminum interior panels must remain in stock thickness as issued by the Manufacturer. NO modifications to the panels, No openings are allowed in the panels which could allow fire, oil, etc. to enter the driver compartment and no oil coolers may be mounted in any interior panel.

19.18. Brake lights are required for Oval and road racing. The preferred area for installation of brake lights is at the top of the roll bar, inside the rear window. If other Road Racing Sanctioning Bodies require the light to be mounted lower, holes may be cut in the tail section of the car in an area above the rear bumper, but below spoiler, for the installation of the brake lights. No aerodynamic advantage is allowed by the addition of these holes. If brake lights are removed, the holes must be restored to original solid condition

19.19. Tow/lift straps are required to be fitted to all cars front and rear. They are required to be fitted to the main chassis/bumper within the Boot and Bonnet area for the purpose of recovery. No tow eyes are to protrude through the body at any time. You may cut a 1" by 3" slot in the front and rear bumper area to allow the strap to be pushed through when required. When racing, all straps must be within the body work area. A small decal must be placed on the car in the area on the tow point Stating "TOW" or "LIFT".

19.20. An aluminum racing seat is required. Plastic, fiberglass, or homemade aluminum seats are not allowed. Seat may be repositioned within the confines of the existing interior but must be placed dead center of the car no tolerance will be allowed for any

seat off set from the center point of the main chassis area. The addition of head or leg supports can be fitted. Padding for headrest, roll bars, steering column, must be fitted where body to metal contact is possible. It is the driver's responsibility to determine where padding should be placed for his/her individual safety. All seats must be securely mounted in the vehicle with a minimum of 4 fixing points.

19.21. All cars must be equipped with an SFI rated window net on both side windows if the driver can place his hands outside of the car when seated and seat belts are fitted. Ribbon or mesh type nets are allowed. The net must be in the "UP" position while car is on the track, covering $\frac{3}{4}$ of the window aperture and only dropped when a red flag is shown, to indicate that you are ok and will not be continuing to race and require assistance to get off track.

19.22. All window nets must be secured with metal bars and r clips or metal fasteners only. No cable ties to hold up the net.

19.23. All cars must be equipped with two rear view mirrors securely fastened to the chassis but cannot extend beyond the exterior vertical plane of the door panel. These must give you maximum all round vision from the driver's position.

19.24. A hand-held fire extinguisher is no longer required at oval tracks, Other than.

All entrants must have a 2Kg fire extinguisher in their pit area, at all times, as part of their equipment for refueling of the car.

19.25. Blank

19.26 Foot box interior must be constructed of aluminum at least 22 gauge. Panels must be securely fastened to chassis. Panels may be added to keep debris from the driver's compartment. All interior panels are subject to approval by official(s).

19.27. The front nose of chassis and 3" of upper return towards driver will be sheeted with aluminum or sheet metal. Front nose metal was implemented in case of loss of fiber glass nose to eliminate track debris from entering foot box.

19.28. One engine cooling hose from the outside of the vehicle to interior of engine compartment is permitted. The pickup point of the hose and/or window device will not exceed the outside body line of the car. The hose, or an extension thereof, must not extend more than 1 inch past the inside edge of the firewall or engine covering. The diameter can be no larger than 3 inches. And not directed to carb intake.

19.29. Bumpers must be genuine parts only as sold by ACC Racing no repairs or aftermarket parts will be allowed for safety reasons,

19.30. No driver shall compete in any event with head or arms extended outside of a car opening. The top of the driver's helmet must be at least one (1) inch below the top edge of the roll cage. This will be measured with the driver securely buckled in the car's seat.

19.31. CHASSIS the chassis must remain as stock manufactured chassis with no alterations, any repairs carried out must use genuine parts as supplied all repairs must be to an excellent standard and welded as per original specification.

20: Blank

21: GENERAL ENGINE REQUIREMENTS (see also section 10.7.- 10.13. for full specifications)

21.1 Only Honda GX390K1 engines or the Loncin G390F-EP Engine with 1" Shaft - Electric Start will be used in JACCR competition fitted with standard GX390 or Loncin parts only no swopping of parts between makers. The below states the Honda but will now include the Loncin engine.

2023 Engines will be removed and taken for technical checking by the promotion and checked by an independent engine builder, drivers will be responsible for collection and rebuild of the engine after checking has taken place. Any illegal parts will be confiscated, and the driver will be referred for discipline action.

21.2. Engine must remain in stock location. Offsetting of engine is expressly prohibited.

21.3. No interchange of parts from different engine models is allowed.

21.4. Engines cannot be altered from JACCR specifications as supplied, The GX390K1 manual will be used for all specifications to the engine including all measurements.

21.5. All parts must be factory Honda parts designed for the GX390K1 and will be checked against **factory** Honda parts and part numbers unless otherwise noted in this rulebook. All official decisions on this are final.

21.6. The internal and external governor system may be removed. Governor shaft hole may be plugged or vented.

21.7. Camshaft timing cannot be changed from Honda factory specifications and ACCR supplied specifications see section 10.7.

21.8. All valves, lifters, push rods and rocker arms must remain stock Honda GX390K1 engines. All dimensions will be taken from known stock Honda GX390K1 engine parts. All other specifications will be from Honda GX390K1 shop manual.

22: Cylinder head must remain stock with no modifications.

All cylinder head dimensions will be taken from stock Honda parts book or see section 10.7.

23: EXHAUST Only the stock supplied system may be used with no modifications

The Header pipe must remain stock by original dimension. Length of header pipe must be even and/or below rear chassis rail. Header pipe may be shortened to chassis rail if desired. This length will be measured with car on ground.

2021 A muffler Silencer is now required and must be fitted to all cars.

Due to noise complaints, these will be available through the promotion.

Additional bracing and brackets to reinforce and support pipe are legal. Exhaust pipes wrap only is legal.

No coatings are to be applied to the system.

24: HONDA CARBURETOR (see section 10.9)

24.1. Carburetor will be the Honda 390 or equivalent, All Carburetors must remain standard bore & with no modifications other than jetting allowed.

25: AIR FILTER AND ADAPTER (see section 10.8) All engines are required to have an air filter and carburetor adapter. Air filter adapter must remain unaltered and as supplied. Air filter cannot act as a ram air device.

26: FLYWHEEL (see section 10.12.) may be balanced. Minimum flywheel weight must be 11 lbs. 10 oz. Weight should be removed from the outer edge of the flywheel. Any flywheel that shows signs of excessive machining on the inside area will be deemed illegal. The tech official will have sole discretion and authority on this matter.

27: ENGINE COOLING SYSTEM Air cooling components cannot be altered from Honda GX390K1. The stock shroud covering the head can be replaced with an aluminum shroud with maximum dimensions of 5" by 10". The replacement of this shroud is not a performance enhancement. The shroud must not extend further forward than the leading edge of the fins on the head. The intent is to equalize cooling over the surface of the aluminum head thus adding durability.

28: The STARTER Recoil starter must be removed. The electric self-starter must be in working order. All cars must be capable of starting under their own power.

29: IGNITION SYSTEM (see section 10.11.) altering the ignition timing from stock Honda GX390K1 specifications is not allowed. No alterations to the starter coil or other electrical parts are allowed. Spark intensifiers are prohibited. The Oil alert system may be removed. The starter cup is an extension of the recoil starter assembly and can be removed if desired. It also presents a hazard when adjusting the carburetor. The cup may be removed and replaced with the following Honda fan flange (Honda part #19512-ZE2-000) **ONLY**. The screen must be replaced firmly attached to the motor in the original location and made of ¼ inch mesh. Honda part #19620-ZE3-810 may be used. It cannot be made of solid materials or be partially covered. A hole may be cut in the center of the mesh to allow access to the crankshaft nut.

30: BATTERY must be located in stock location. All batteries subject to approval by official(s). With a battery Isolator fitted to - side of the system and in easy reach of driver and officials all isolators must be marked ON/OFF

31: FUEL CELL & Pump The use of fuel cell, capacity 1 ½ US gallons or less, as supplied from factory is mandatory. The JACCR approved fuel cell location shall remain unaltered from stock. **Any type of fuel pump will be allowed.**

32: FUELS

32.1. Unleaded gasoline is available at service stations only. No racing fuel, aviation fuel or additives of any type are allowed. The Officials reserve the right to use a pump around system. Any competitor who does not allow fuel to be pumped will be disqualified. Fuel may be tested by Officials using a Digatron fuel testing meter. Fuel temp may also be measured. No frozen fuel is allowed. The average will be taken from several cars. Anyone with 5 degrees Celsius below the average will be classed as illegal and all points removed for that day.

32.2. ACC Racing Ltd recommends that racers purchase fuel for each event at a local service station near that event to minimise the chance of having fuel that does not match samples taken by ACC Racing Ltd for reference.

32.3. Oxygenated fuel is illegal and not to be used at any time.

32.4. Oil is to be used to lubricate the engine only – not for combustion. Any brand of oil is allowed, provided it does not contain any prohibited additives. Prohibited additives designed to increase power include, but are not limited to, nitro methane, polypropylene oxide, etc. These can be dangerous and will bring a stiff penalty and/or suspension from the series. The only allowed additives are those designed to reduce friction such as Prolong or Militia.

32.5. Devices intended to cool the fuel are not allowed. Wrapping or insulating the fuel cell is not allowed, but a protective covering may be placed around the fuel line.

33: The CLUTCH Only a dry centrifugal clutch is allowed. No transmissions, belt driven torque converters, oil bath clutches or axle clutches. The Clutch and clutch components must meet the following requirements.

-RATECH clutch #1300S006.

-PREMIER Titan clutch. Only shoes, springs and drums manufactured by PREMIER for clutch #1000200 are acceptable.

-Horstman Redhawk Clutch

34: CHAIN/GEAR SPROCKETS Only #35 chain allowed. Only sprocket gears giving a ratio from 3.6 to 4.6 may be used. Chain guards permitted and must be acceptable to ACCR official(s). No automatic or manual chain oiling systems permitted.

35: BRAKE COMPONENTS Only hydraulic disc brakes with steel rotors as supplied are permitted. All cars must have brakes on rear axle. Rear brake rotor/disc must be stock. The rotor may not be altered from stock size, no lightening or drilling allowed. No alternate materials may be used. **Three bolts with lock nuts will be installed in brake rotor hub to ensure brake rotor safety.**

35.1. Front brakes are not compulsory and an added option. All brake cooling component parts must be of standard supplied and must be acceptable to the official(s).

36: REAR AXLE The rear axle must meet the following requirements: Axle must be mounted solid to suspended chassis. Only standard supplied axles may be used. Both rear hubs must be keyed securely to the axle. No floating hubs allowed. Snap rings must be in place and safety wired. Axle key stock must be secured in an additional fashion (tie wrap, tape, etc.) on all cars. Self-oiling carrier bearings are prohibited.

37: WHEELS All wheels must meet the following requirements: four or six bolt Wheel and 4 or 6 bolt hub these wheels are 8" diameter aluminum with a 6.5" – 7" or 8" rim width of various makes. The Wheels may be painted, or powder coated. All wheels will be supplied by ACC Racing Ltd only.

38: SUSPENSION all cars must have a suspension consisting of: Four Afco shocks or protek shocks, or as supplied by ACC racing Ltd on imported cars. Springs are free shocks that cannot be altered and must meet original factory specifications. Replacement Shocks must be as supplied by ACC Racing Ltd and have a serial number on.

A Shock buy system will operate any driver may buy another driver shocks after a meeting if two-day meetings after this has taken place at a cost of £100.00 each payable to the promotion where we will issue new shocks to said driver and buying driver will receive the old units.

38.1 A-arms, pan hard bar, and other suspension related components must be original Jascar parts supplied by ACC Racing Ltd. No homemade parts. Front shock spacing may not exceed one (1) inch width. All suspension and steering components are tunable without any component modifications. Springs may be interchanged on shocks. Shocks & springs may be run in any location on car as long as shocks and springs remain approved part numbers.

38.2. SPINDLES All spindles must be supplied by ACC Racing Ltd.

King pin angles, spindle diameters, spindle arm length and angle, and the location of the outer ball joint mounting hole must remain as manufactured and supplied by "ACC Racing Ltd".

39: STEERING All cars must be equipped with a steering column constructed of 0.750 x .065 steel tubing. A quick release steel coupling acceptable to the official(s) on the steering wheel is mandatory. Only rack and pinion steering are permitted as supplied by ACCR. All steering linkage must be properly secured.

40: TYRE RULING

40.1. BRAND: Controlled Only Hoosier Slick and the Wet Hoosier marking to be confirmed.

40.2. SIZE: 15.0 x 7.0 x 8 MC780

Shore parameters for JASCAR tyres UK will be set at: For Slicks, minimum hot reading 56 & 71 for cold reading. For wets, minimum hot reading 54 & 67 for the cold reading, taken as an average over 6 points of measurement. Any tyre inside these readings will be legal for use. Any tyre outside of these readings will be classed as illegal and confiscated for testing of substance use.

Bar codes should not be removed. Care must be taken when cleaning tyres. Bar codes are going to be placed on tyres - Any tyres found with bar codes rubbed out on both sides will be classed as illegal, even if it blackened by tyre rub, it must remain as is and pointed out to the Officials for scanning and recorded in your logbook before use and the tyre must be fitted on the car.

40.3. Tyre Numbers controlled. Only tyres purchased through the promotion may be used, including WET tires.

Softening agents and other substances are not allowed to be used on tyres at any time. A durometer will be used to check the manufactures tolerances as set out above.

40.4. A minimum of two slicks and two wets may be run on any car at any time within the meeting.

Drivers may change tyres at any time while in the pit area only, not in the holding lane area or after you have been called to line up Parc Ferma Rules will apply once the first car is called to the holding area this will be at the official's discretion.

A minimum of two slicks and two wets may be run on any axle of your choosing at any time within the meeting. You can mix slicks with wets for weather conditions, but anyone found running 4 slicks on a completely wet track will be moved to the rear of the field and may be black flagged if found to be a danger to fellow competitors.

40.5. Only compressed natural air may be used to inflate tyres. This may be checked by requesting a deflation of any number of tyres on a chosen car, and then reflat via the supplied Official's compressor. Anyone refusing to carry out such task will be deemed illegal and disqualified from results. No other type of gas may be used to inflate tyres.

No other tyres may be used in any event other than the controlled type as listed. All tyres will be purchased through the ACC Racing Ltd and for you to prove that you have met this requirement, control measures as follows:

All competitors will only be allowed to use the Hoosier JACCR slick tyre or the Hoosier wet tyre.

Only tires purchased through ACC Racing Ltd may be used. All other tyres will be deemed illegal, and you will not be able to compete in any JACCR sanctioned or organized event.

40.6. New Tyre control – Each driver will be allocated 4 slicks and 4 wets at the start of each race season (8 tires in total) unless you carry new tyres over from the previous season then these will be deducted off the seasons allocation, these can be taken at anytime during the racing season any new car imported and sold will have the option to purchase an extra slick and wet 5 of each in the first season of racing, you may exchange 1 slick or 1 wet for each other i.e. max 5 slicks 3 wets or 5 wets 3 slicks during a season this above rule is subject to officials discretion i.e. unusual weather conditions on the aspect of driver safety.

Tyres, if unused, will be carried over to the following season / year. If you must carry them over, they will be deducted from your next year's allocation if they are not logged in your logbook and signed off by an Official

At the end of the year all drivers must submit a copy of the tyre log (photo) within 7 days of the last racing date.

New Tyre serial numbers for a meeting must be recorded in the driver's handbook as you use them, by the driver. Failing to do so could result in Tech infringement and disqualification of that race. These may be checked at Tech during and after the meeting. If you change a tyre to a brand new one due to damage or puncture, it must also be recorded in your logbook and signed off as used.

40.7. Any driver who enters the track on the complete wrong tyres for the current weather conditions will be placed to the rear of the grid on the form up lap for safety. Any driver that is then seen to be a danger or creating a risk of accident or incidents, or who interferes with the race pace due to wrong tyre choice may be black flagged. This is at the discretion of the Race Director.

40.8. All drivers must have a set of wets available per car at each meeting, new or used, for the use if the conditions warrant i.e. rain or drizzle or any wet conditions. If wets are fitted, the front screens must be removed and the replacement surround in place.

40.9. Rain Policy – All cars are permitted to use the controlled wet tires (Hoosier as supplied by Promoter).

41: Accessories

41.1. Lap timers and other automated electronics (oil pressure, temperature, and rpm) are allowed providing they are Mounted securely. Data acquisition devices are not allowed at **sanctioned events** in practice, heats or otherwise.

41.2. Tach/temp sensor devices may be attached to the spark plug or exhaust. A small hole can be drilled in the exhaust pipe to accommodate the sensor.

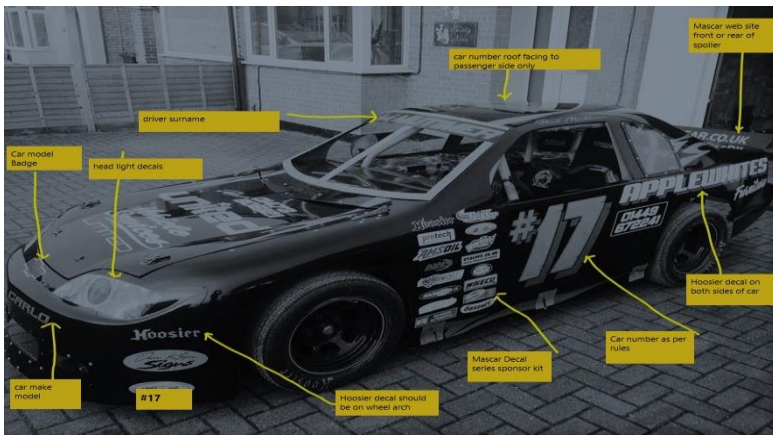
42: Measurements

42.1. all cars must maintain a track width between 43” (1092.2mm) and 45” (1143mm) measured at the widest point (sidewall) of the tire. Aluminum spacers are permitted to utilize maximum front track width see section 43.0.

42.2. Wheelbase Requirements the maximum allowable wheelbase for either side of the car is 60.5” (1524mm). The minimum allowable wheelbase for either side of the car is 59.5” (1511.3mm). When measuring, both sides must measure within ½” (12.7mm) of each other. Measurement is to be taken from outer wheel to outer wheel specifically at the wheel rim or as per section 43.0,

42.3 The maximum off set for any front and rear wheels is ½” or 12.7mm measured as below diagrams section 43.0.

43: Series decal & measurement points



Tow - stickers x 1 front 1 x rear.

Isolator sticker next to battery cut off.

Spoiler - JACCR web address may be located on rear valance or under numbers either side of car.

Your number should be on the front left and rear right of car minimum 3”.

Main decals as per photo

Head lights taillights as per photo

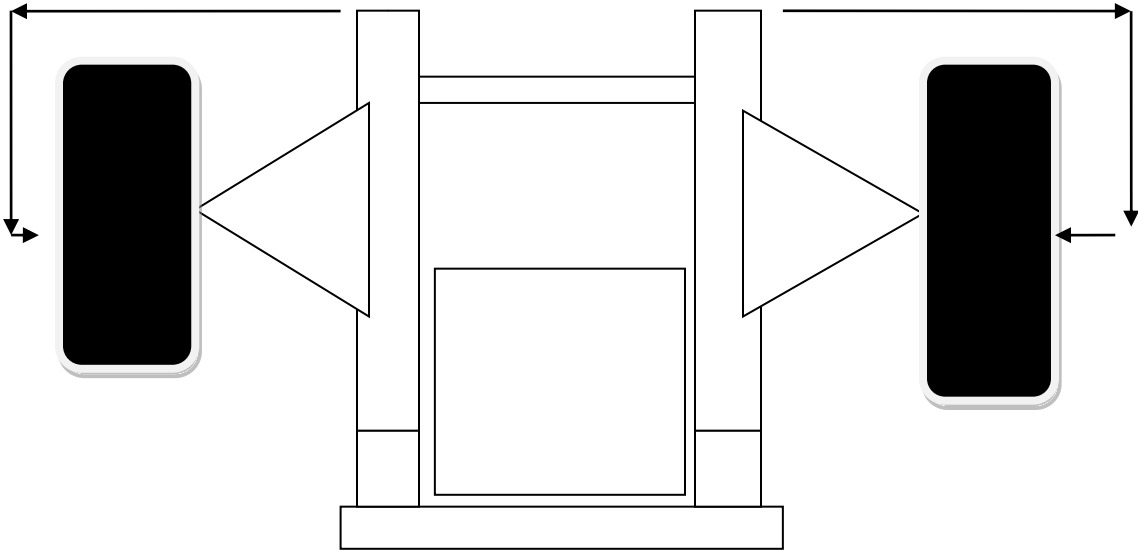
Full driver name above side widows

Surname on front visa

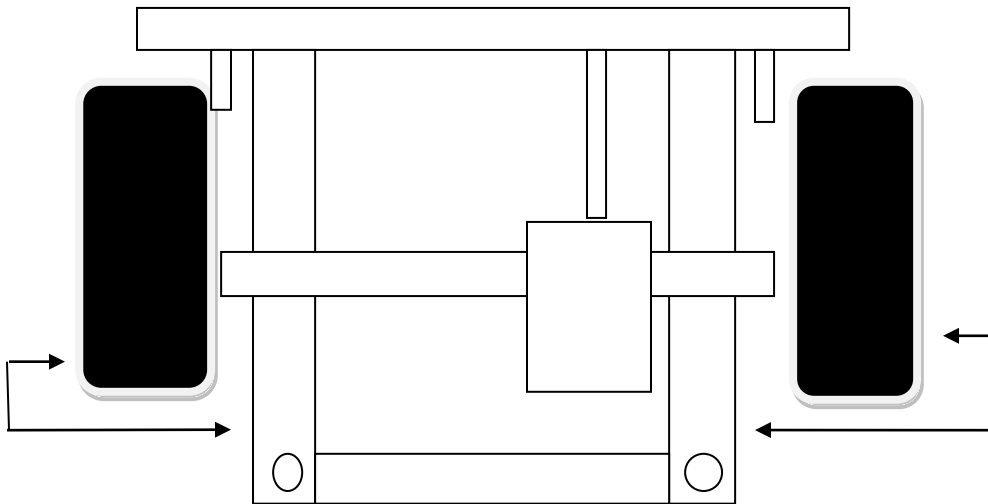
Car makes i.e. ford Taurus on front bumper.

Hoosier tire sponsor over wheel arches

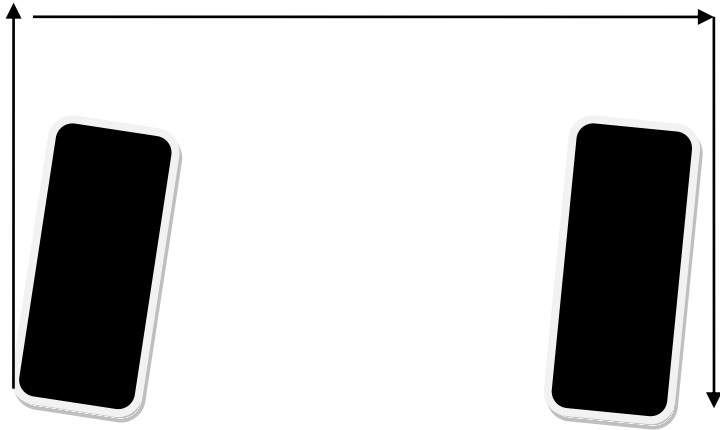
Measurement points for tech front, Front end. 43" (1092.2mm) - 45" (1143mm) overall Maximum off set 1/2" (12.7mm)



Rear end tech off set measurement points 0" - 1/2" or 0mm-12.7mm



Wheel track measurement points front and rear end



Wheelbase measurement points 59.5" (1511.3mm) – 60.5" (1536.7mm)



Ride height free

Please note we are still in the early stages of getting to know the cars and adapting them to the UK tracks and may review the rules during the season under the agreement of the drivers to ensure the juniors' safety.

Failing to attend meetings does put the series in jeopardy for the future and can lead to cancellation of meetings.

2024 rule changes

As highlighted in yellow above

2024 Engines may be removed and taken for technical checking by the promotion and checked by an independent engine builder drivers will be responsible for collection and rebuild of the engine checked. Any illegal parts will be confiscated, and the driver will be referred for discipline action.

42: Measurements

42.1. all cars must maintain a track width between 43" (1092.2mm) and 45" (1143mm) measured at the widest point (sidewall) of the tire. Aluminum

spacers are permitted to utilize maximum front track width see section 43.0.

42.2. Wheelbase Requirements the maximum allowable wheelbase for either side of the car is 60.5" (1524mm). The minimum allowable wheelbase for either side of the car is 59.5" (1511.3mm). When measuring, both sides must measure within ½" (12.7mm) of each other. Measurement is to be taken from outer wheel to outer wheel specifically at the wheel rim or as per section 43.0,

42.3 The maximum off set for any front and rear wheels is ½" or 12.7mm measured as below diagrams section 43.0.

34: CHAIN/GEAR SPROCKETS Only #35 chain allowed. Only sprocket gears giving a ratio from 3.6 to 4.6 may be used. Chain guards permitted and must be acceptable to ACCR official(s). No automatic or manual chain oiling systems permitted.

Driver Notes

Warning!

RPM Engine builder – Warning This engine builder has had several engine technical failures for another formula bringing in to question the legality of our engines built by this builder. Special attention will be paid to these engines in 2024 using an independent engine specialist, we advise you check legality as per the rule book as the drivers are responsible for the legality of such engines.